

FIG. 6. 6-INCH HAND SIGNALLING LANTERN.

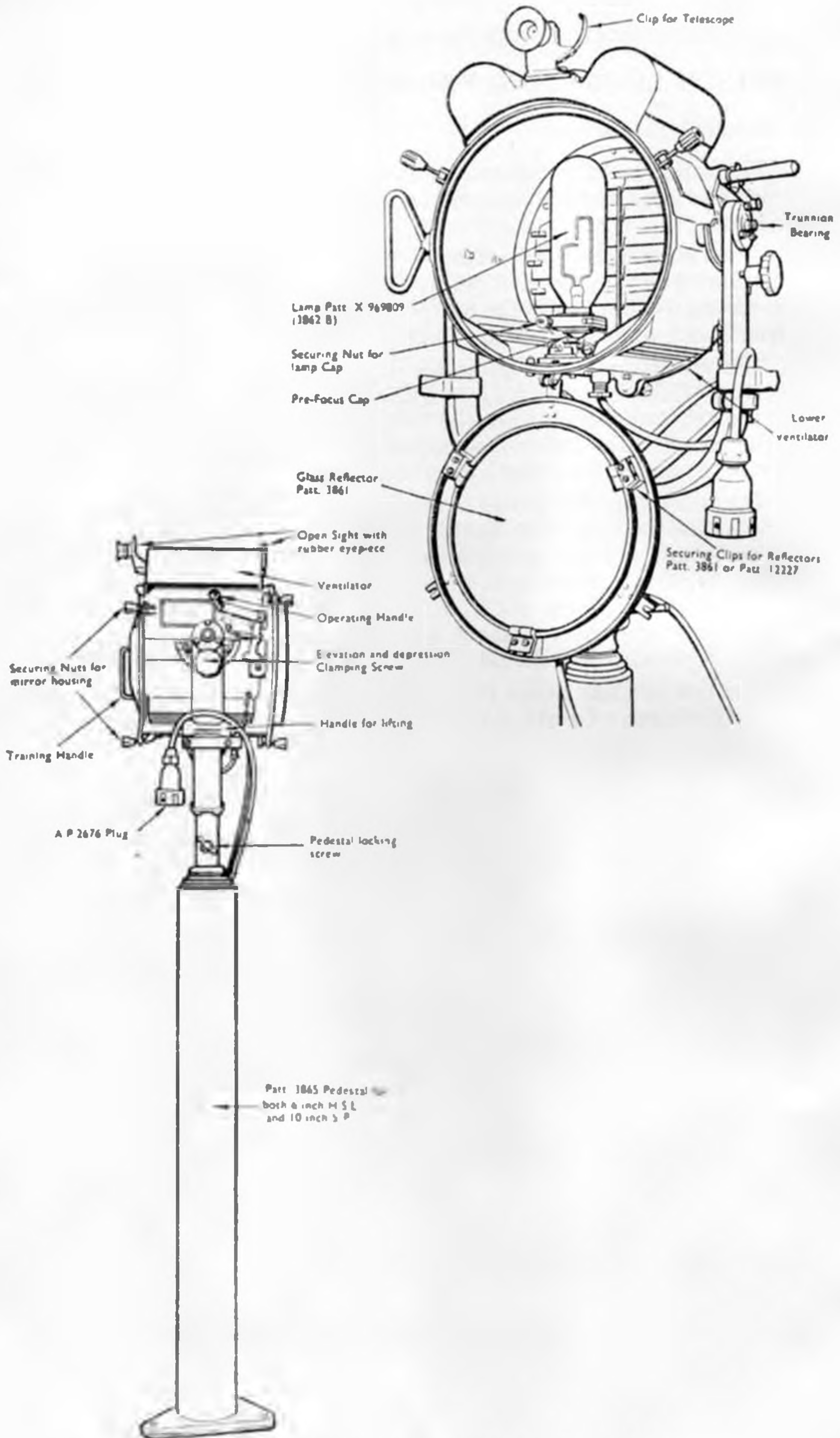


FIG. 5. 10-INCH SIGNALLING PROJECTOR PATT. 3860A.

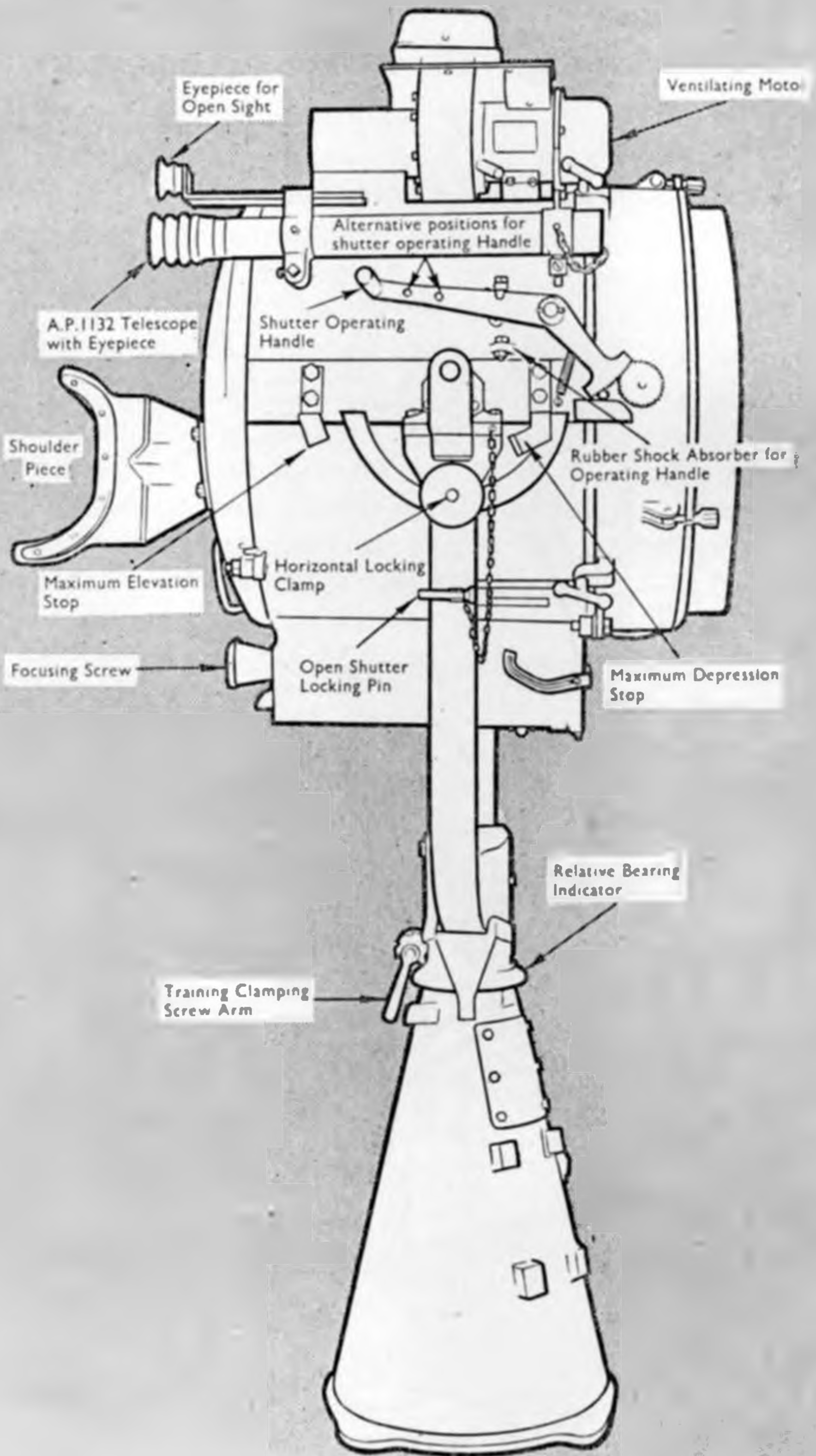


FIG. 4. 20-INCH SIGNALLING PROJECTOR PATT. 170A,

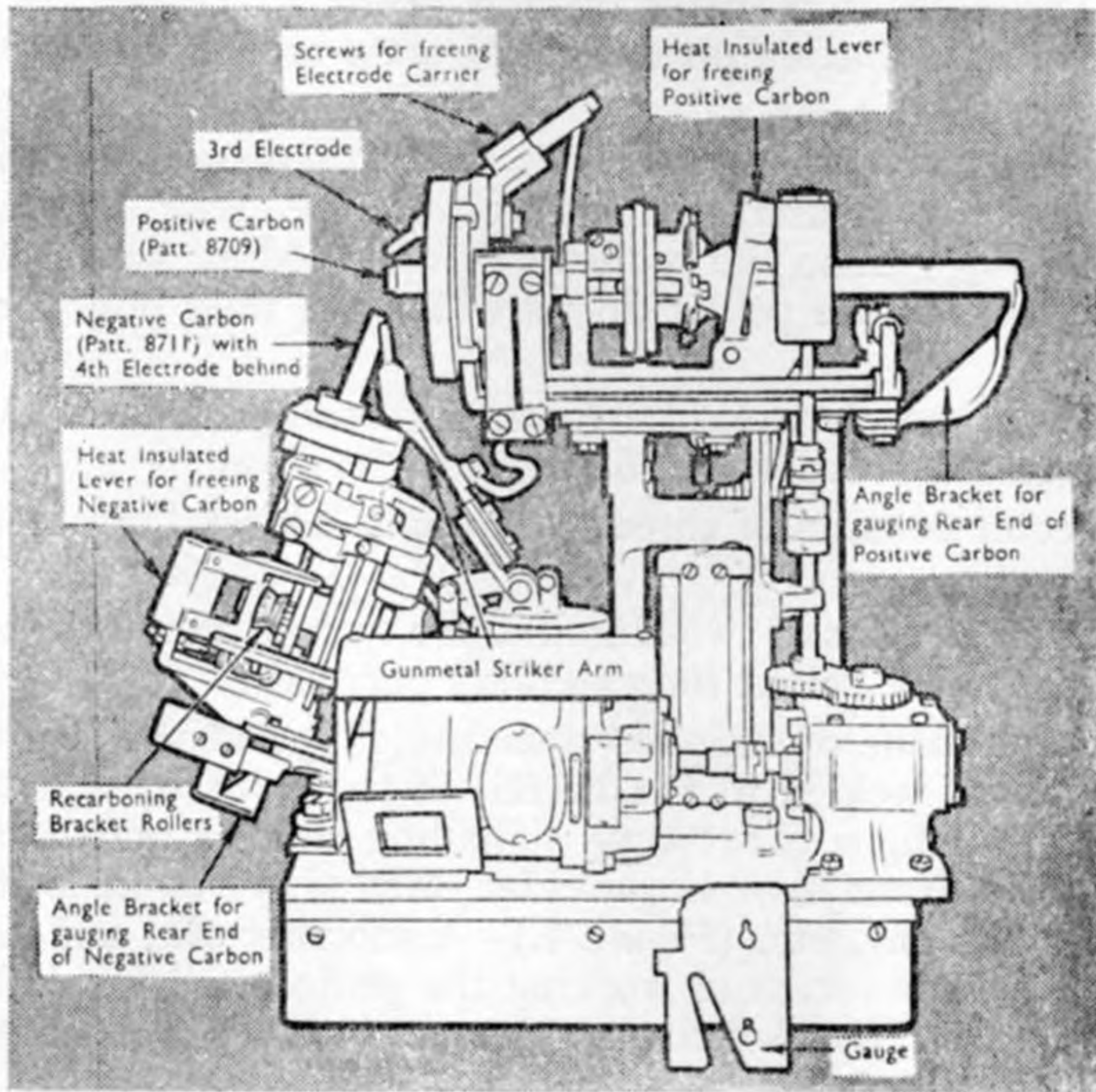


FIG. 2. LAMP PATT. 1216A FOR 20-INCH SEARCHLIGHT AND SIGNALLING PROJECTOR.

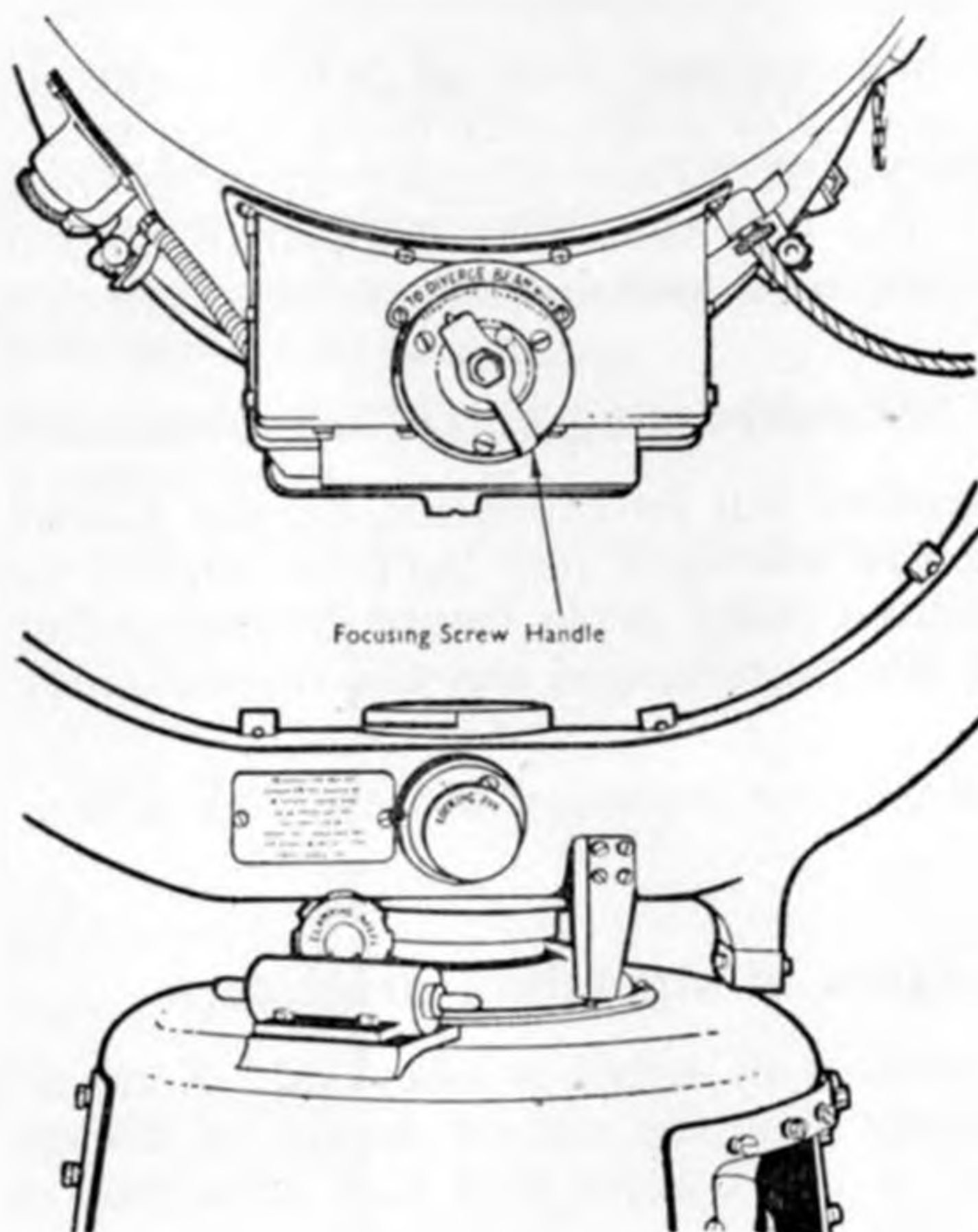
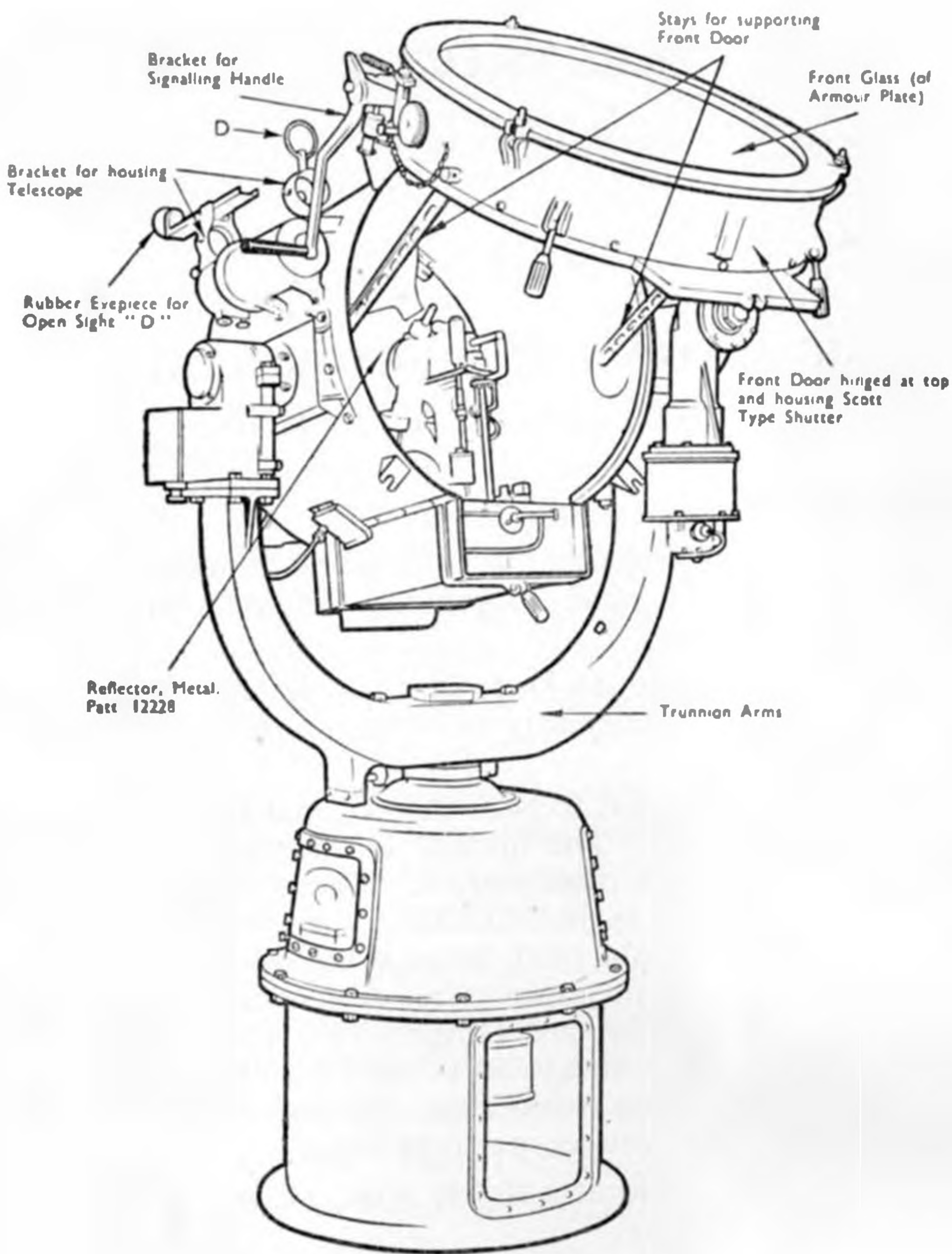


FIG. 1. COMBINED SEARCHLIGHT AND SIGNALLING PROJECTOR.

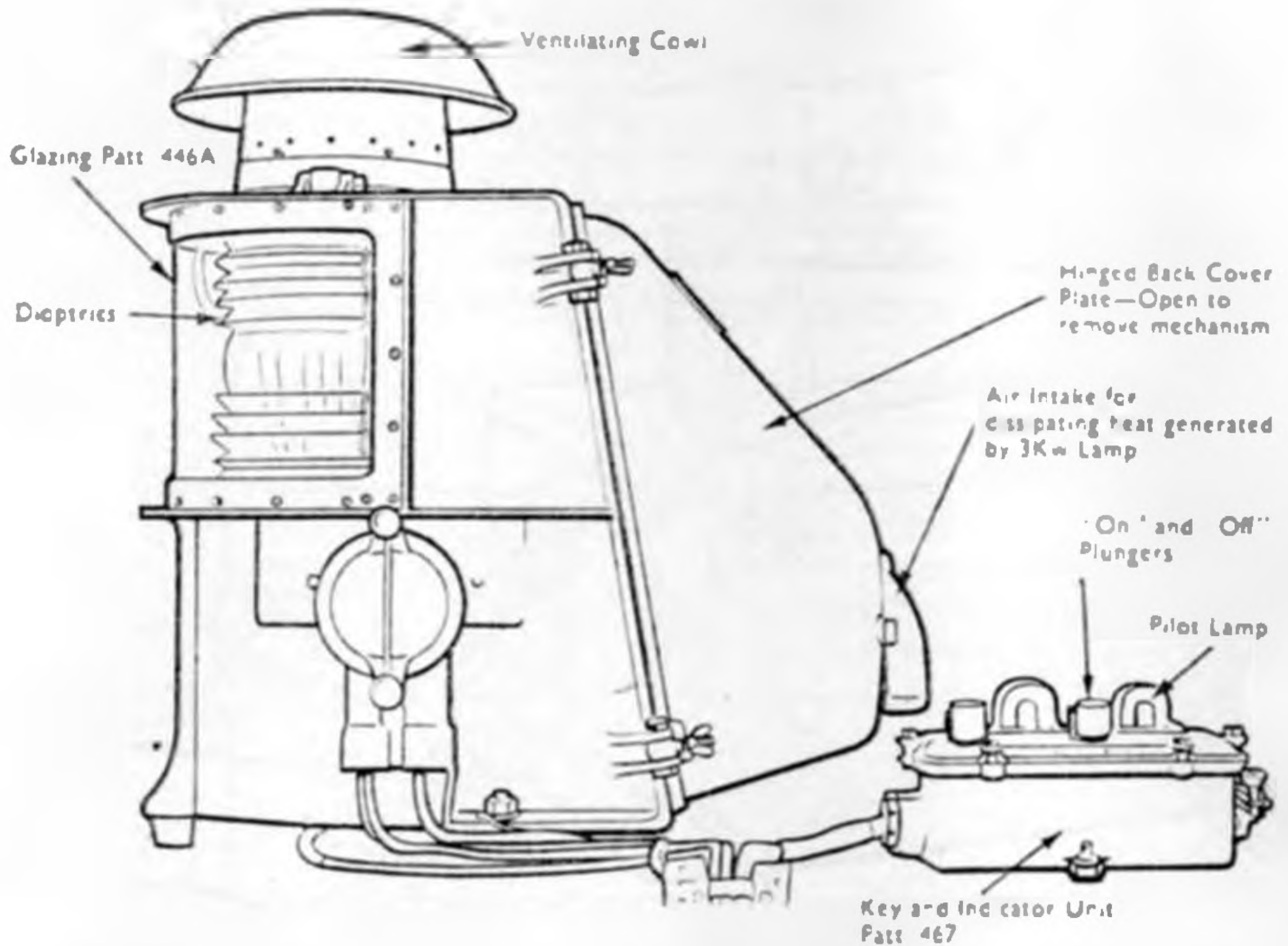


FIG. 11. DAYLIGHT SIGNALLING LANTERN 3 KW. PATT. 443.

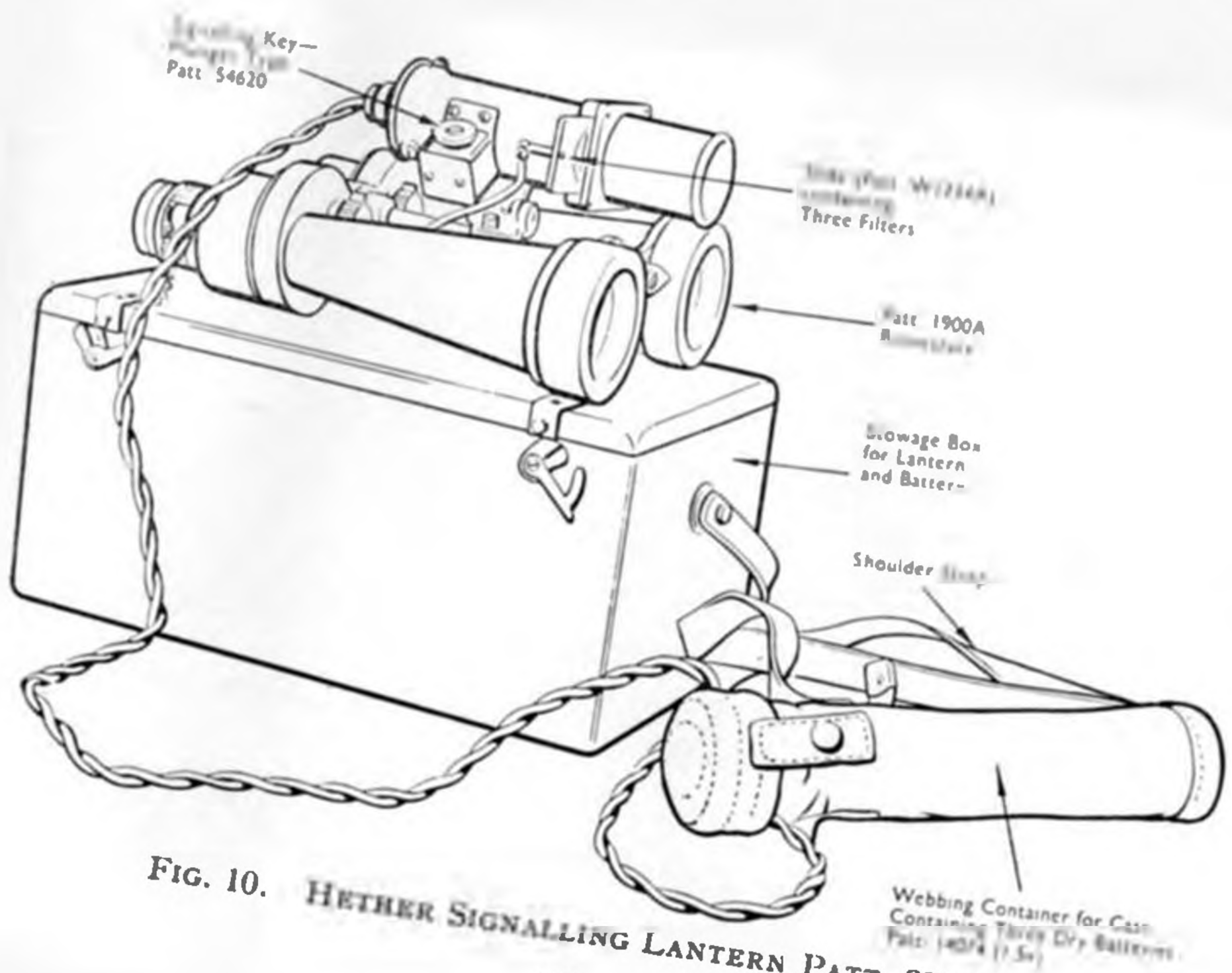


FIG. 10. HETHER SIGNALLING LANTERN PATT. 378B.

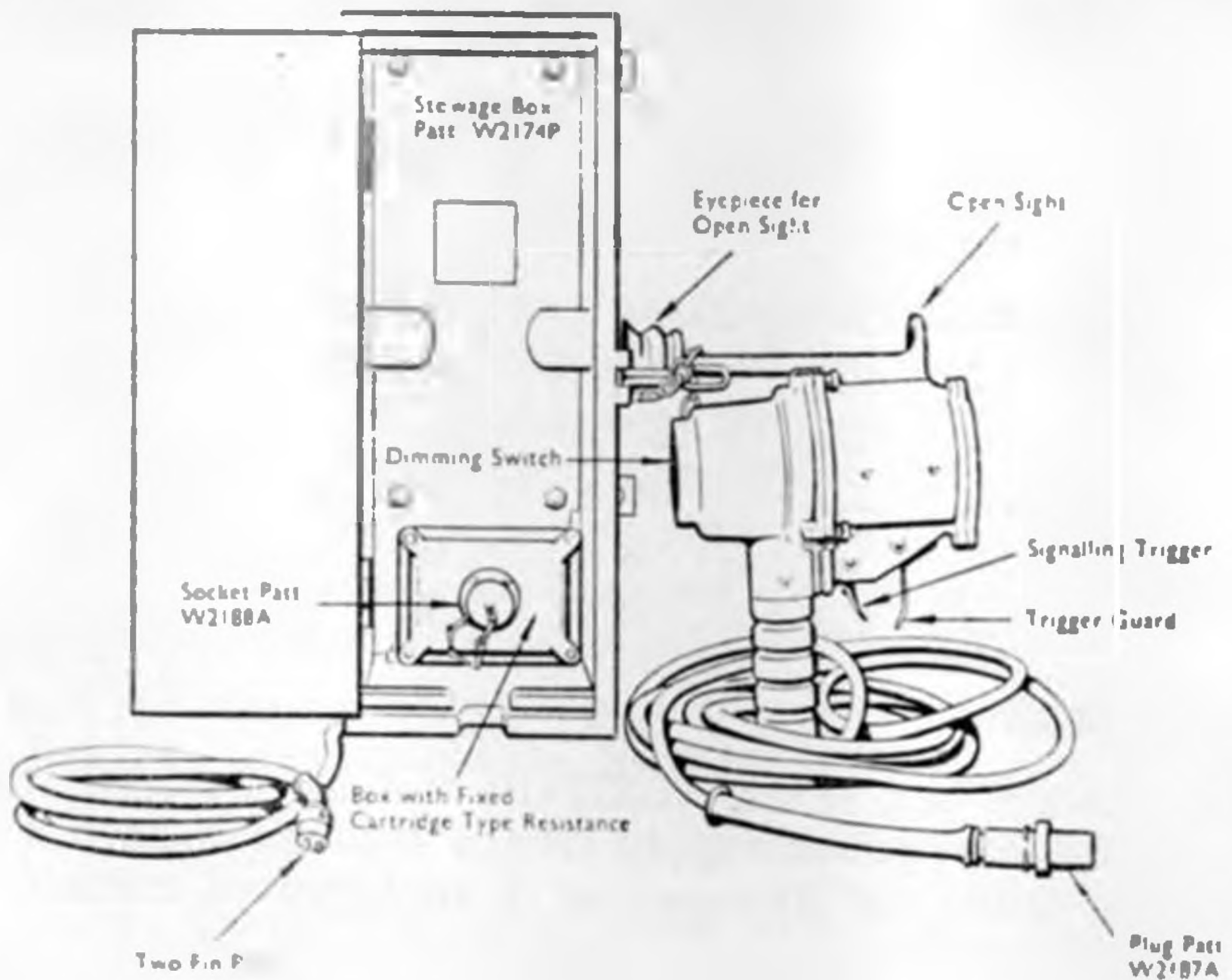
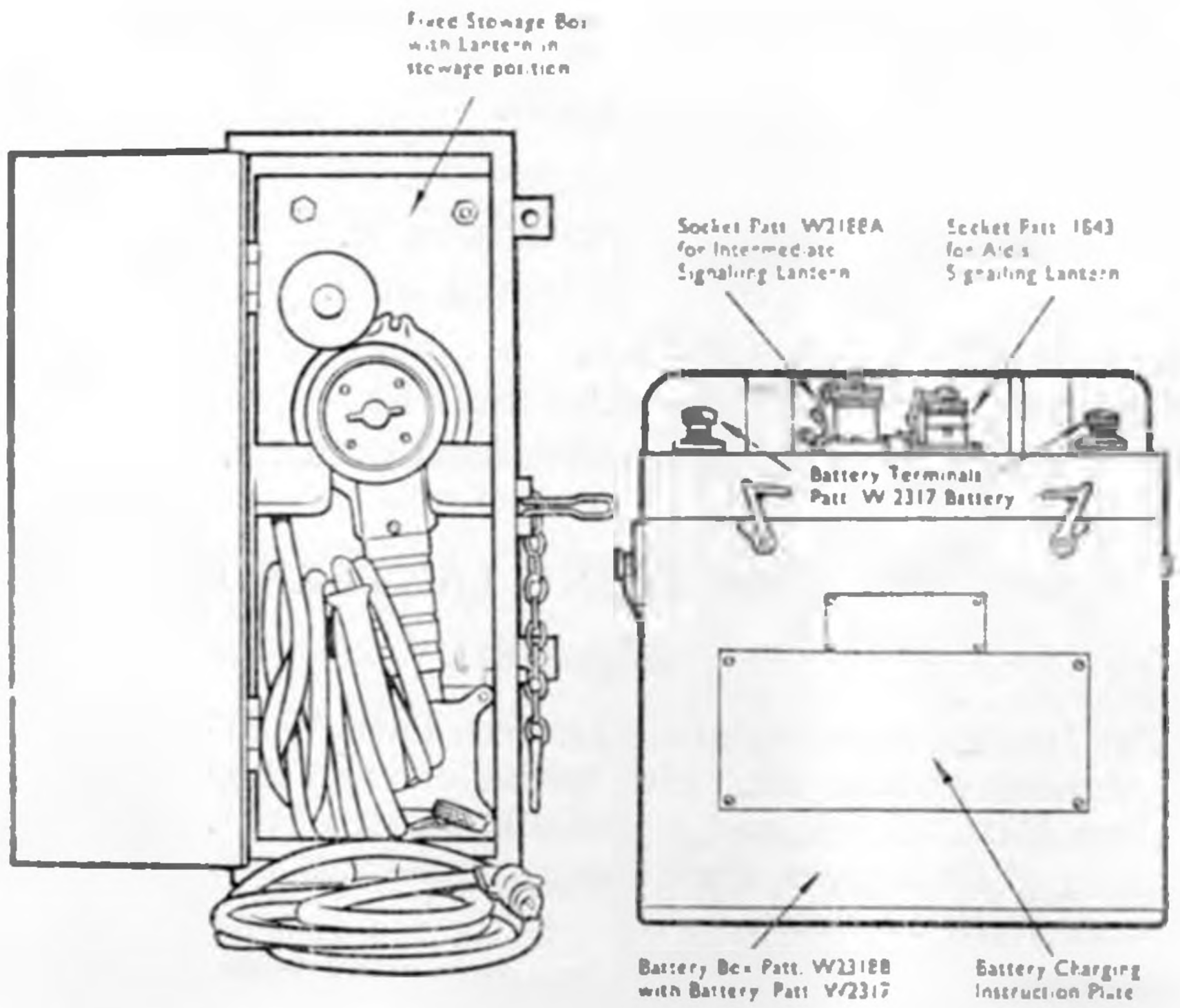


FIG. 8. INTERMEDIATE SIGNALLING LANTERN PATT. W.2174 WITH BATTERY PATT. W 2137.

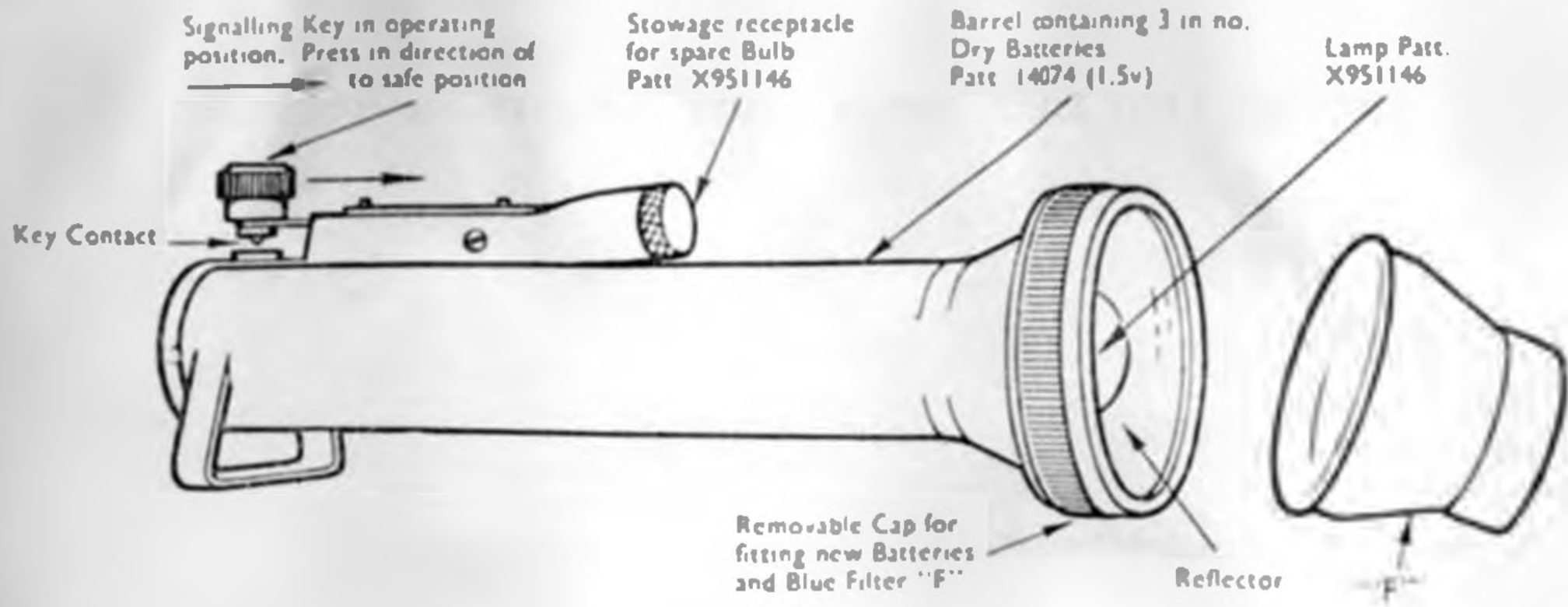
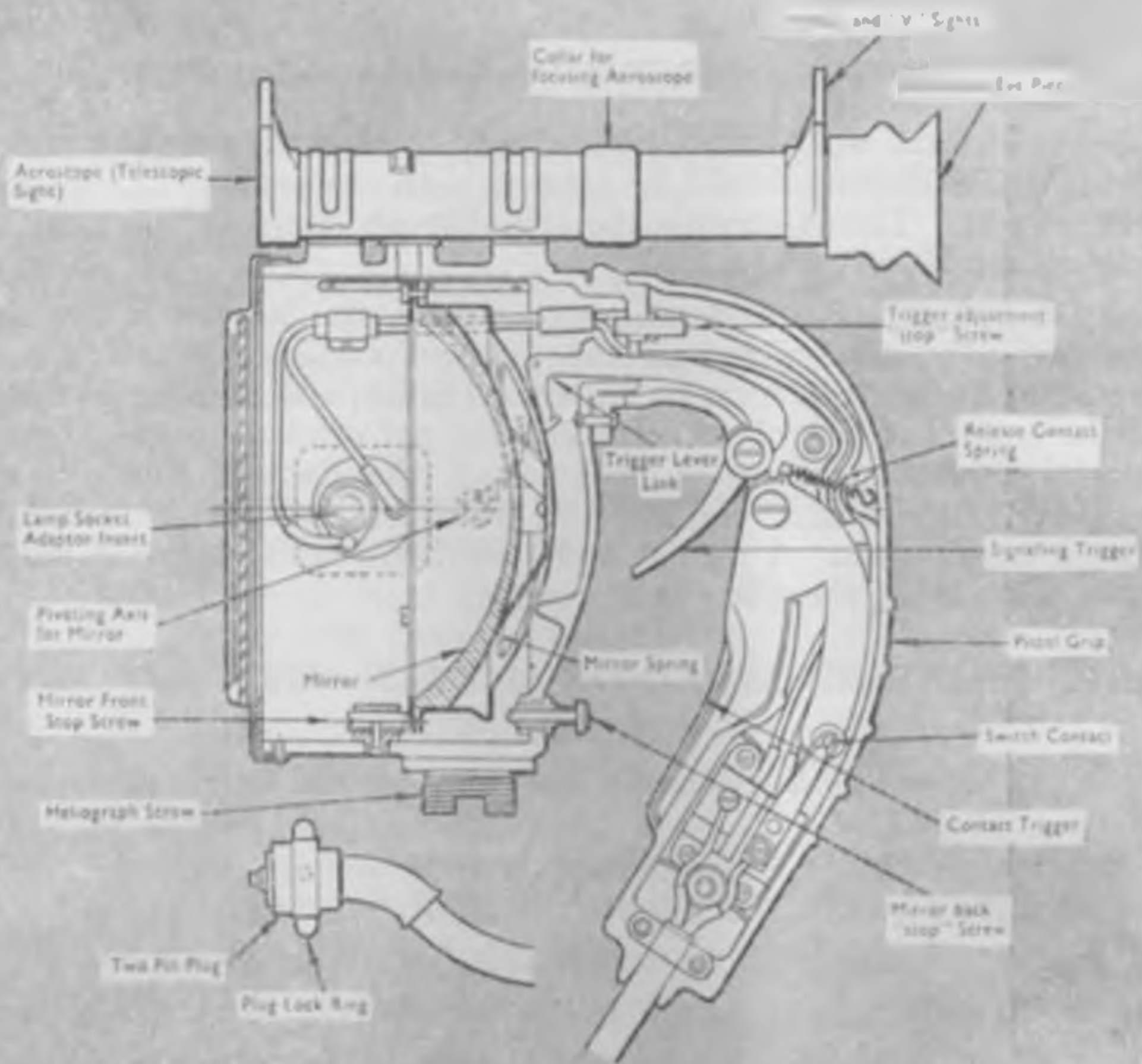


FIG. 13. SIGNALLING TORCH PATT. 16001A.



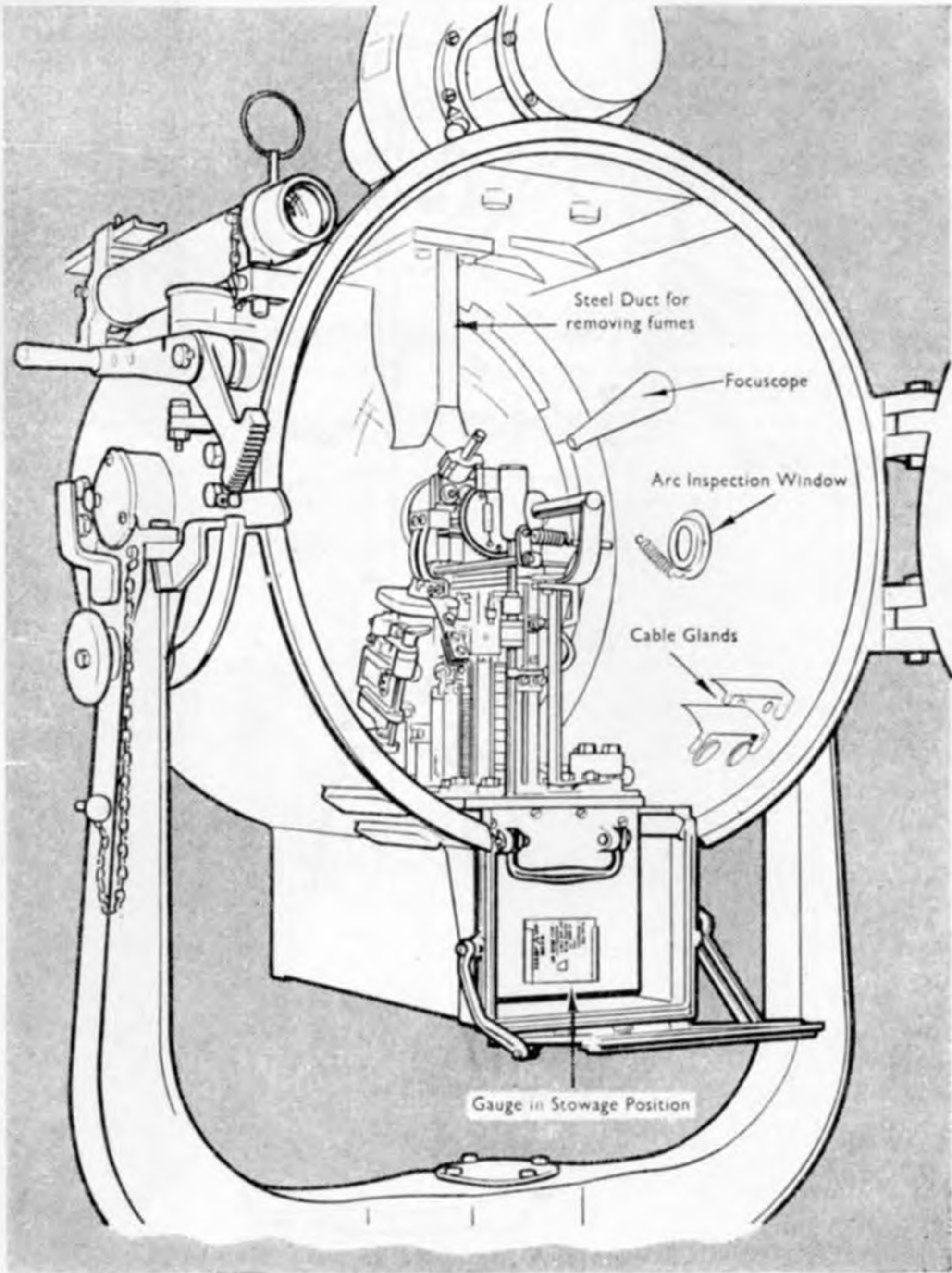


FIG. 3. LAMP PATT. 173.

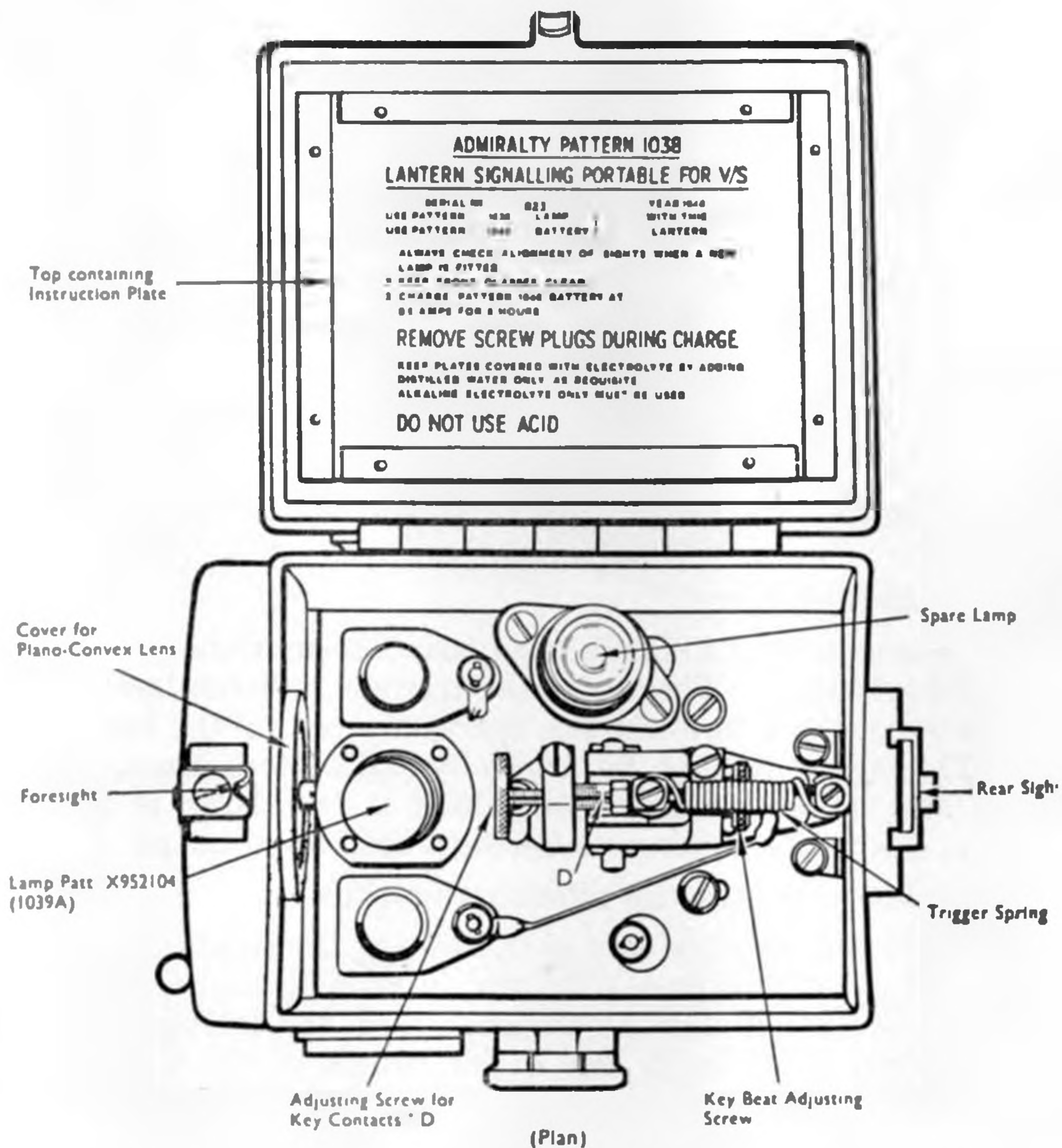
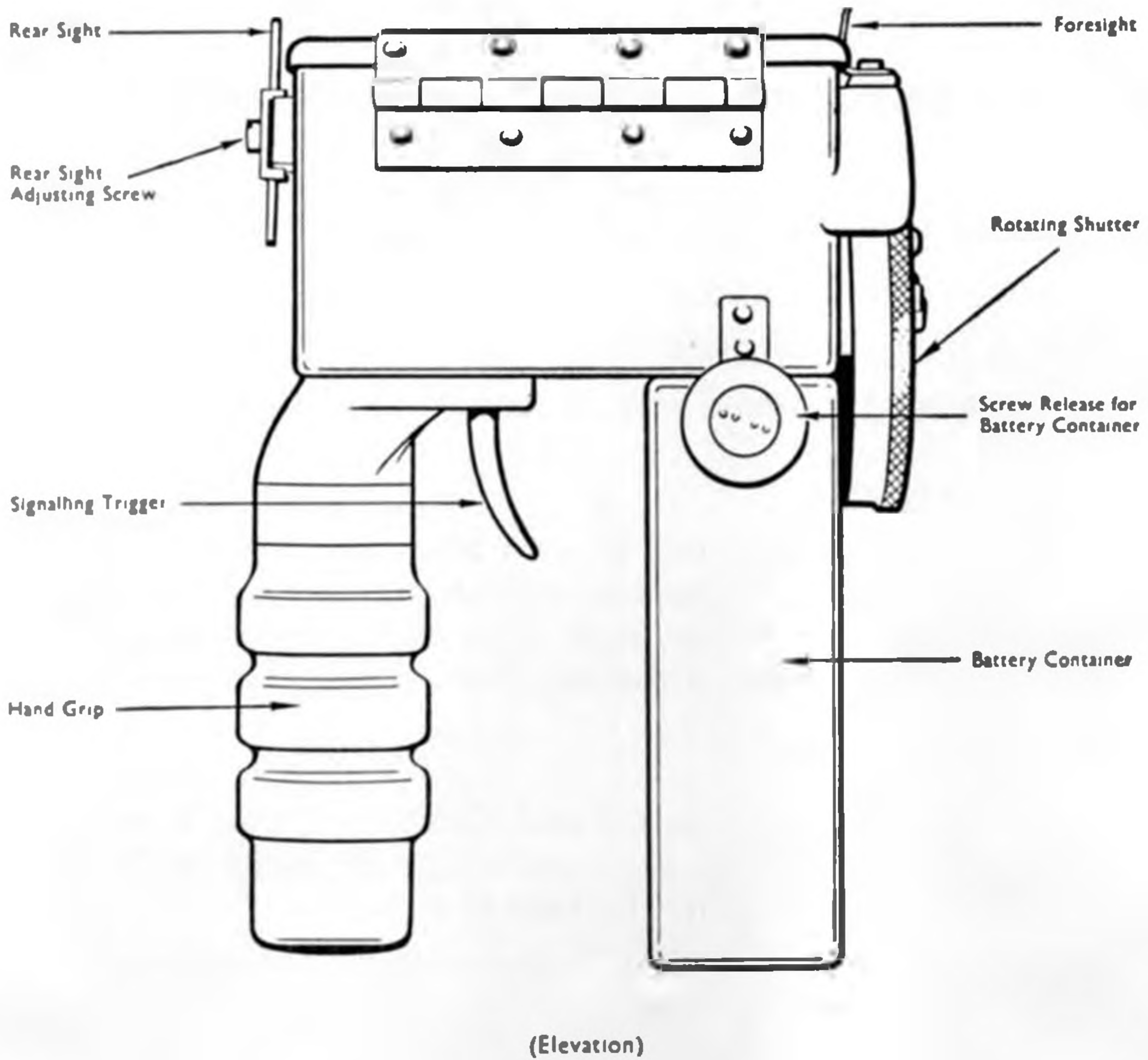


FIG. 9. PORTABLE ELECTRIC SIGNALLING LANTERN Patt. 1038.